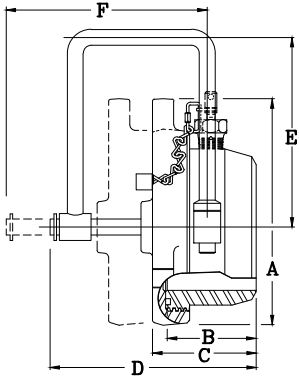




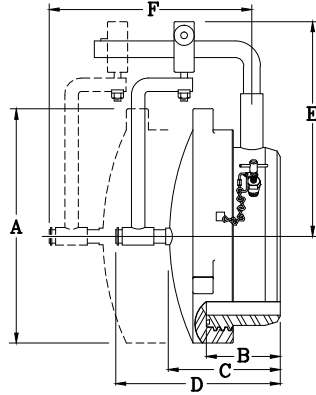
## DIMENSIONS – FIGURE 500

SIZE	SERIES	A	B	C	D	E	F	G	H	J	ESTIMATED WTS (W/O HINGE)
<b>Family I</b>											
2"	150/900	5	3	3 1/2	NO HINGE						7
3"	150/900	7	2 5/8	3 7/8	8 5/8	5 3/4	6 1/2	N/A	8 1/2	8 7/8	20
4"	150/900	8	3 3/4	4 3/4	9 1/4	5 3/4	6 1/2	N/A	9 1/2	9 1/4	25
6"	150/900	11 1/2	4 1/2	6	9	12 7/8	10 1/2	11	9 1/2	11	60
8"	150/600	12 5/8	5	7	10	13 3/8	12 1/4	11 1/2	11 1/2	12	90
	900	13	5 1/2	7 1/2	9 1/2	13 3/8	12 1/2	11 1/2	11 1/2	12 1/2	125
10"	150/600	16	5 1/2	8	11 1/2	17 1/4	17 1/4	14 1/2	11 1/2	13	140
	900	15	8	10	10 1/2	18 1/2	15 1/2	14 1/2	11 1/2	16 3/8	175
12"	150/600	18 3/4	5 1/4	7 3/4	11 1/4	19	13 3/4	15	12 1/2	13 7/8	160
	900	17	6	8 1/2	11 1/4	19	14 1/2	15	12 1/2	14 3/4	200
14"	150/600	21 1/4	5 1/2	8	11 5/8	20	16	15 1/2	13	14	260
	900	18 1/2	7	12	14 1/4	20	18 1/2	15 1/2	13	18 1/2	300
<b>Family II</b>											
16"	150/600	20	9	13 5/8	25 3/8	22 3/4	35	17 3/4	18 1/2	26	450/500
	900	21	9	18 5/8	28 3/8	22 3/4	36	17 3/4	19	27 1/4	650
18"	150/600	22 1/4	9	14 1/4	26	25 1/2	35	20 1/2	19 1/2	26 3/4	525/575
	900	23	9	18 1/8	27 7/8	25 1/2	36	20 1/2	20	29 1/2	820
20"	150/600	24 1/2	9	15 1/8	26 7/8	27 1/4	41	22 1/4	20 1/2	27 5/8	640/780
	900	25 1/2	9	19 1/4	29 1/2	28	41	23	21	29 3/4	920
22"	150/600	26 3/4	9	17 1/2	29 1/4	29 1/2	42 1/4	24 1/2	21 1/2	30	750/850
	900	28	12	21 7/8	31 5/8	30 1/4	42	25 1/4	21 3/4	30 1/2	1000
24"	150/300	28 1/2	12	18 3/4	28 1/4	31	41	26	22 1/4	30 1/2	900
<b>Family III</b>											
24"	600	29 1/2	12	18 7/8	30 1/4	36	42	27 1/4	27 1/2	34 1/8	1380
	900	30	12	20 3/8	32 7/8	36	43	27 1/4	27 1/2	35 5/8	1550
26"	150/600	32	12	17 1/8	28 5/8	39	41	29	30 1/2	32 1/2	1000/1600
	900	33	12	24	34 1/2	39	41	29	30 1/2	37	1675
28"	150/600	31	9	22 3/8	32 7/8	40	41	30	31 3/4	35 1/2	1175/1700
	900	34	12	24 1/2	35	40	41	30	21 7/8	37 1/2	2000
30"	150/300	33	9	22 7/8	34 3/8	40	41	29 1/2	32 1/2	36 1/4	1150
	600	35 1/2	12	22 5/8	33	40	43	31	32 1/2	36 1/4	1900
	900	37	15	27	36 1/4	41	45	31	32 1/2	37	2450
32"	150/300	35 1/4	12	21 5/8	32	44	41	32	32 3/4	35 3/8	1300
	600	37 3/4	15	20 1/2	36 1/4	44	44	34	32 7/8	36 3/4	2400
	900	39 1/2	15	26 1/2	39 1/4	46	45 1/2	36	33	37 1/2	2600
34"	150/300	37 1/2	12	23 7/8	35 1/2	46	47 1/4	34	34 1/2	36 3/4	1450
	600	40 1/4	15	27	35 1/2	47	50	35	34 5/8	37 1/4	2600
	900	41 1/4	15	28	40	47	51	36	35	38	3000
36"	150/300	39 1/2	15	25 3/8	37	47	46	35	39 1/2	36 3/8	1650
	600	42 1/2	15	28 1/4	39 1/4	47	49	35	39 7/8	41 3/8	3150
	900	43 3/4	15	30	38 7/8	52	50 1/4	37	40 1/4	43 1/2	3500
38"	150/300	41	15	27	38	56	48	38	41 1/4	41 1/2	1900
	600	43 3/4	15	27 3/8	39 3/4	56	50 3/4	39	41 3/4	42 5/8	3250
	900	45 1/4	15	32	44 1/4	57	50 1/2	40	41 7/8	44 1/2	3800
40"	150/300	43 1/2	15	31 1/2	38 1/2	57	50	41	42	46 1/2	2100
	600	46 1/2	15	34 1/2	40	57	53 1/2	43	42 1/4	52	3800
42"	150/300	45	15	32	39 3/4	58	55 1/4	42	42 3/8	42 3/4	2500
	600	48 1/4	15	28 1/2	40 1/2	58	58 1/2	42	42 3/4	43 5/8	3900
44"	150/300	48 1/2	15	34	40 7/8	58	59 1/2	44	43	42 3/4	2900
	600	51 1/2	15	37 1/2	42 1/4	59	62 1/4	45	43 1/4	44 5/8	4600
46"	150/300	51 1/2	15	36	42 1/2	59	62 3/4	44	43 1/2	42 3/4	3200
	600	53 1/2	15	39	43 3/4	60	64 3/4	45	43 3/4	44	5000
48"	150/300	53 1/2	15	35 1/4	43 1/2	60	59 1/2	44	44 1/2	45 1/2	3700
	600	55 1/2	15	37	41 1/2	61	61 1/2	45	44 3/4	48	5400

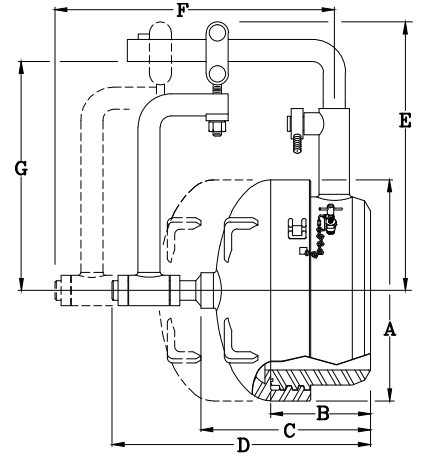
- All Dimensions for reference only. Dimension Drawings can be provided upon request.
- Because of continuous product improvement, Modco reserves the right to change designs, materials, or specifications without notice.



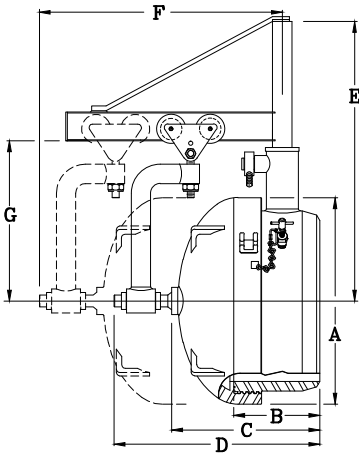
HORIZONTAL 2" THRU 4"



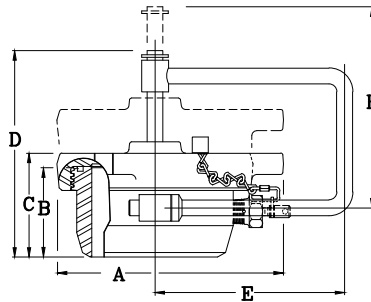
HORIZONTAL 6" THRU 14"



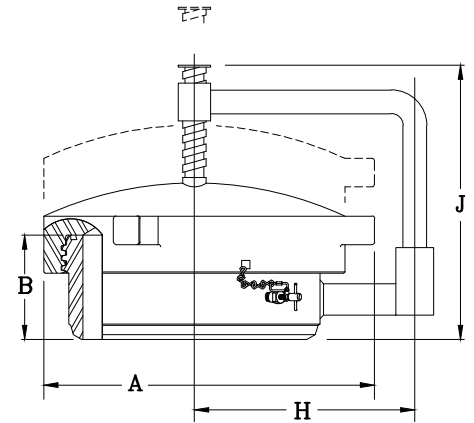
HORIZONTAL 16" THRU 24" 300



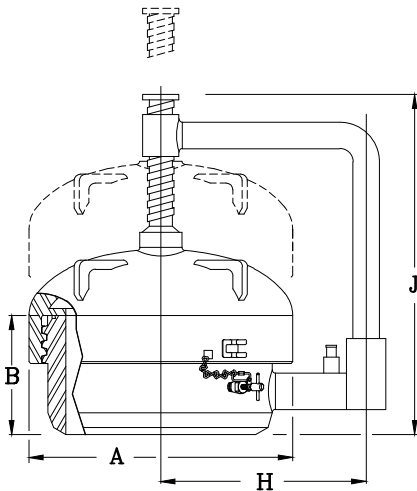
HORIZONTAL 24" 600 AND ABOVE



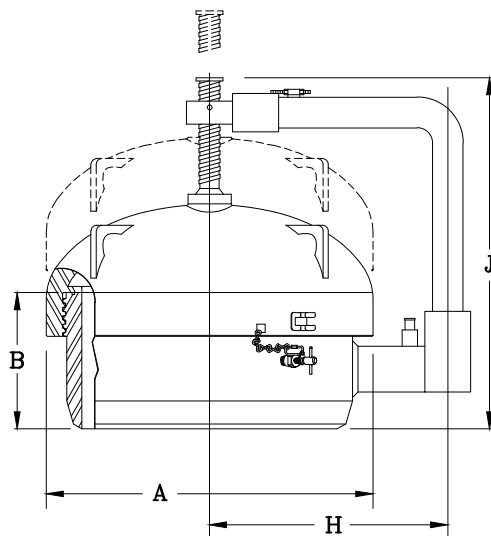
VERTICAL 2" THRU 4"



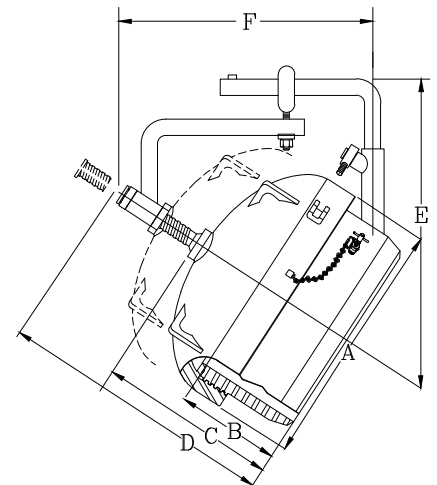
VERTICAL 6" THRU 14"



VERTICAL 16" THRU 24" 300



VERTICAL 24" 600 AND LARGER



INCLINED HINGE