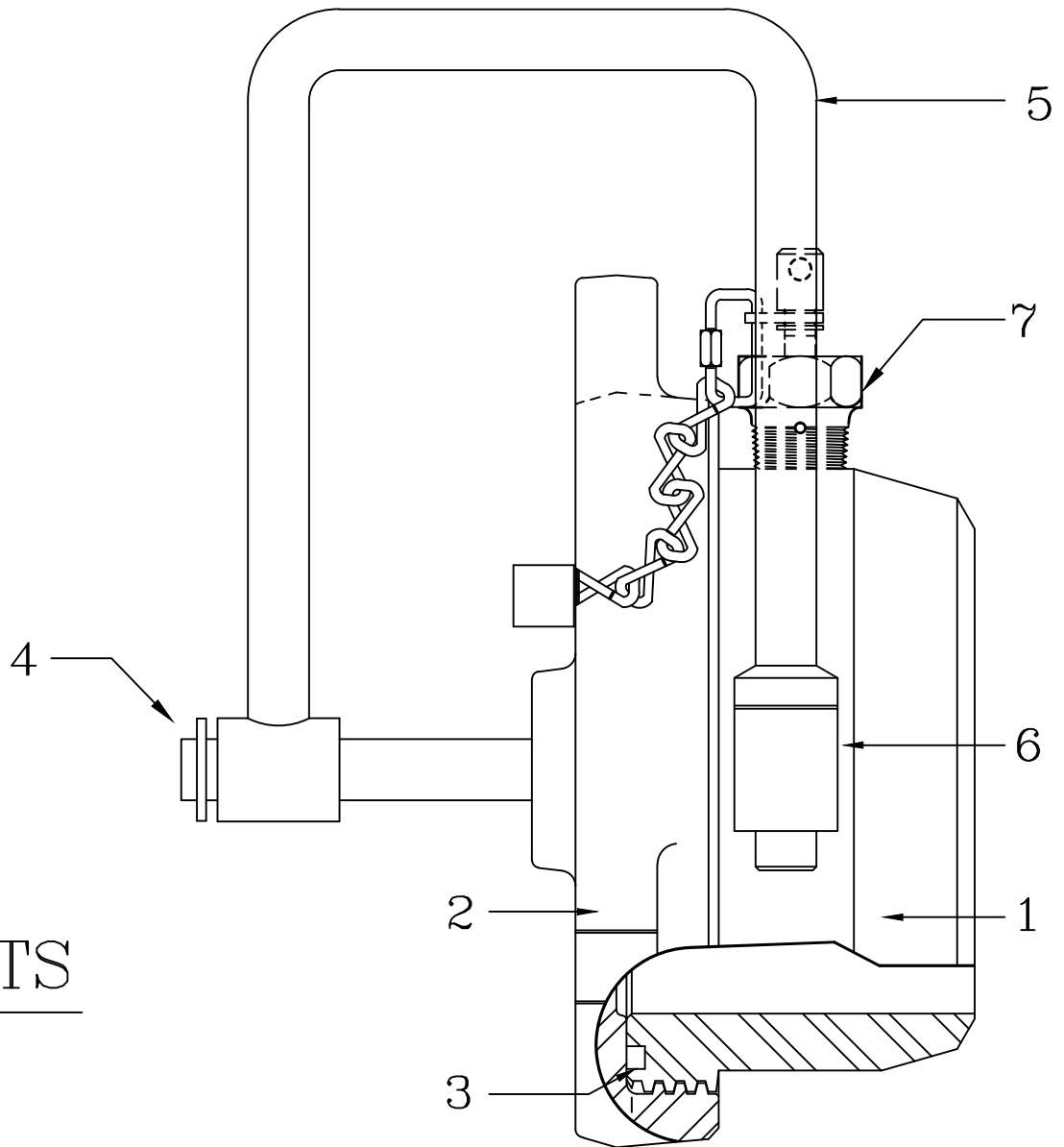


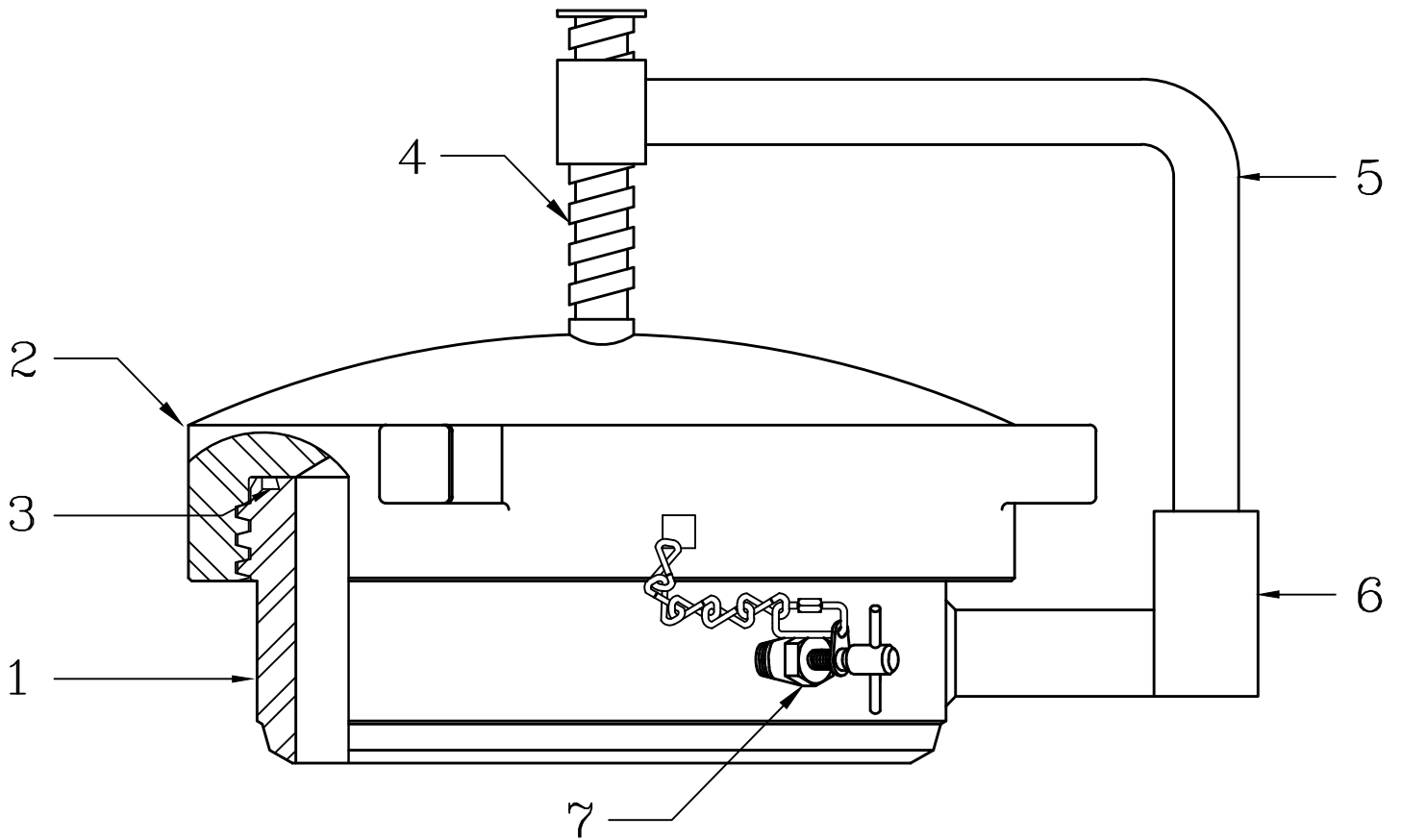
MODCO FIG. 500 HOR. / VERT.



PARTS

1. Sub
2. Cap
3. O-Ring
4. Cap Pin
5. Hinge Arm
6. Hinge Assy.
7. PAV w/ Chain

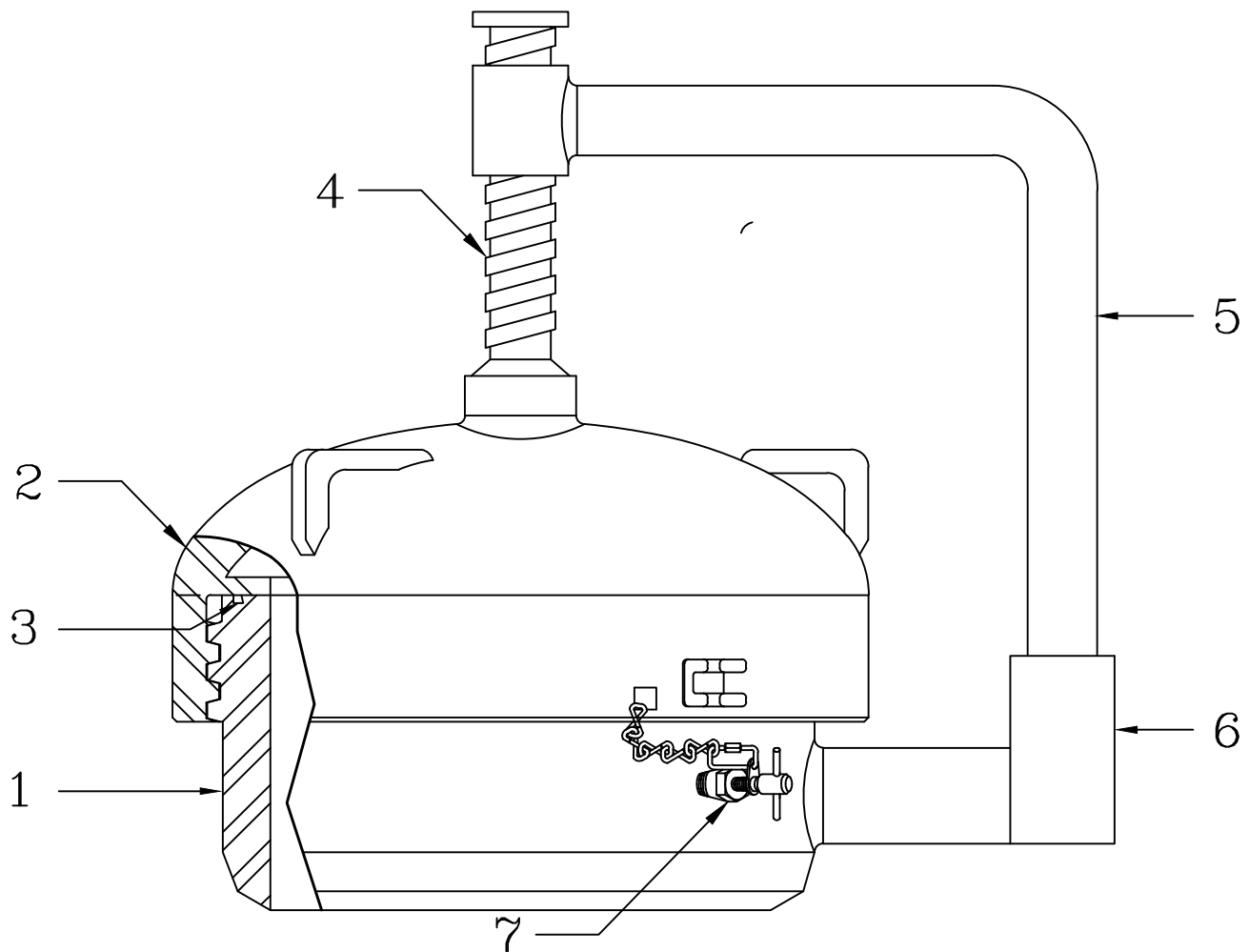
MODCO FIG. 500 VERTICAL



PARTS

1. Sub
2. Cap
3. O-Ring
4. Cap Pin
5. Hinge Arm
6. Hinge Base
7. PAV w/ Chain

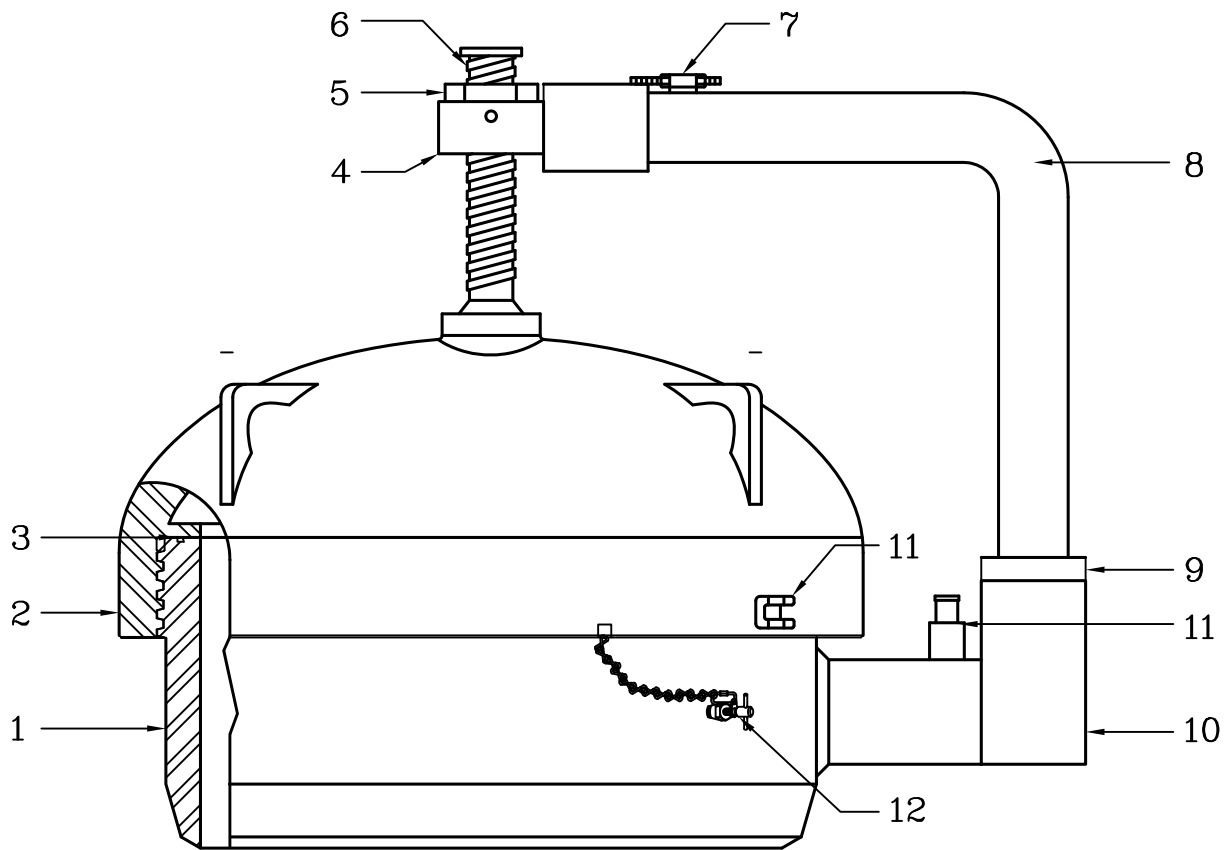
MODCO FIG. 500 VERTICAL



PARTS

1. Sub
2. Cap
3. O-Ring
4. Cap Pin
5. Hinge Arm
6. Hinge Base
7. PAV w/ Chain

MODCO FIG. 500 VERTICAL HINGE



PARTS

- | | |
|--|-----------------------------|
| 1. Sub | 7. Lateral Position Nuts |
| 2. Cap | 8. Hinge Arm |
| 3. O-Ring | 9. Dust Cover |
| 4. Set screw (Holds Vertical
ADJ. Nut From Turning) | 10. Arm Housing w/ Bearings |
| 5. Vertical ADJ. Nut | 11. Lugs and Spindle |
| 6. Threaded Cap Pin | 12. PAV w/ Chain |